



GPIJG300 Streetlight Series 120 Watt Model

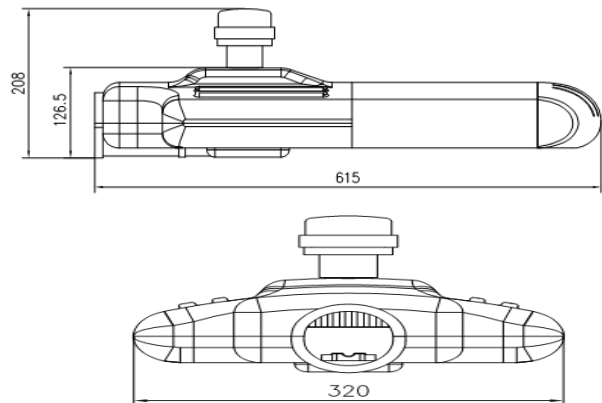
| Part Number | Power Consumption | No. LEDs | Initial Flux (Lumens) |
|-------------|-------------------|----------|-----------------------|
| GPIJGL304 | 120W | 20 | 10800 lm |



- GPIs 300 series streetlights can reach up to 94 lumens/watt. Save up to 60% in energy costs!
- UL Approved (100-277 VAC inputs only)
- DLC Qualified (contact GPI for specific models)
- The gap between each LED bar allows for better air flow and consequently, better cooling. Improved heat fin design provides better heat dissipation and improved LED life.
- Rust free, aluminum alloy housing, powder coat finish
- Accurate Color Rendering CRI >80
- Mercury-free, instant on light
- 3D vibration, anti-salty fog
- Input Voltage 100-277 or 200-480 VAC, 50/60Hz
- 50,000 hours of operation at 70% lumen maintenance rated life
- 5 Year Warranty
- Available in silver grey, brown, black, or white
- Type II/ Type III / Type V light distribution patterns
- Optional photosensor, Optional dimming
- Other wattage streetlights available
- Arch design prevents dirt from collecting on the top of the streetlight

Specifications

| | Model Number | GPIJG304 |
|----------------------|-----------------------|--------------------------|
| ELECTRICAL | LED Quantity | 20 pcs |
| | LED Manufacturer | CREE XLamp XM-L |
| | Rated Power | 120W |
| | Input Voltage | 120-277 VAC, 200-480 VAC |
| | Input Frequency | 50/60 Hz |
| | Total Current @ 120V | 1.099A |
| | Color Temperature | 4000K/5000K/5700K |
| | Rendering Index (CRI) | >80 |
| | Power Factor | >0.9 |
| | Lamp Efficiency | 85 lumens/watt |
| Lamp Luminous Flux | 10800 lumens | |
| ENVIRONMENTAL | Operating Temperature | --35°C – 50°C |
| | Humidity | 10% - 95% |
| | Life | >50,000 hours |
| | Warranty | 5 years |
| MECHANICAL | Dimensions | 24.8"x12.6"x4.98" |
| | | 630mmx320mmx126.5mm |
| | Packing Dimensions | 27.56"x14.76"x7.09" |
| | | 700mmx375mmx180mm |
| | Gross Weight | 23.98 lbs (10.9 Kg) |
| Protection | IP65 | |
| Installation Height | 15-50 Feet | |



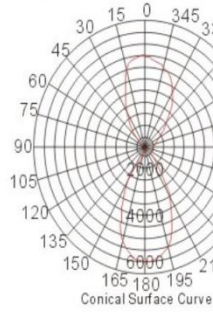
| LED STREETLIGHT / PARKING LOT LIGHT | | | | | | |
|--|---|---------------|-------------------------------------|--|--|---------------------------------|
| Model | 1. Voltage | 2. Wattage | 3. CCT | 4. Lens | 5. Finish | 6. Dimmable |
| GPI-JGL304 | L-110-277V LC-110-277V with photocell H-200-480V | 120W-10800lms | 40K-4000K 50K-5000K 60K-6000K | T2-Type II T3-Type III T5-Type V | BR-Bronze (RAL8028) GR-Grey (RAL7038) BL-Black (RAL9017) | DM-Dimmable NDM-Non-Dimmable |
| Example: GPI-JGL304L-120W-50K-T2-BR-DM | | | | | | |
| 1 2 3 4 5 6 | | | | | | |

Compliance

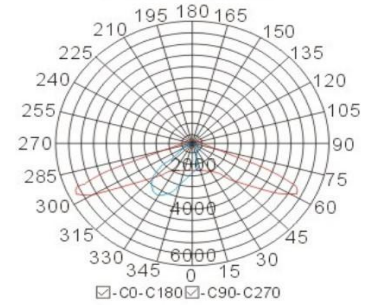
- UL1598
- DLC, IDA
- TM21
- 3G vibration rating (ANSI C136)
- Anti-salty fog (ASTM B117)
- FCC B15, IP65
- IEC-EN62471
- CE-IEC60598, RoHS

Photometrics

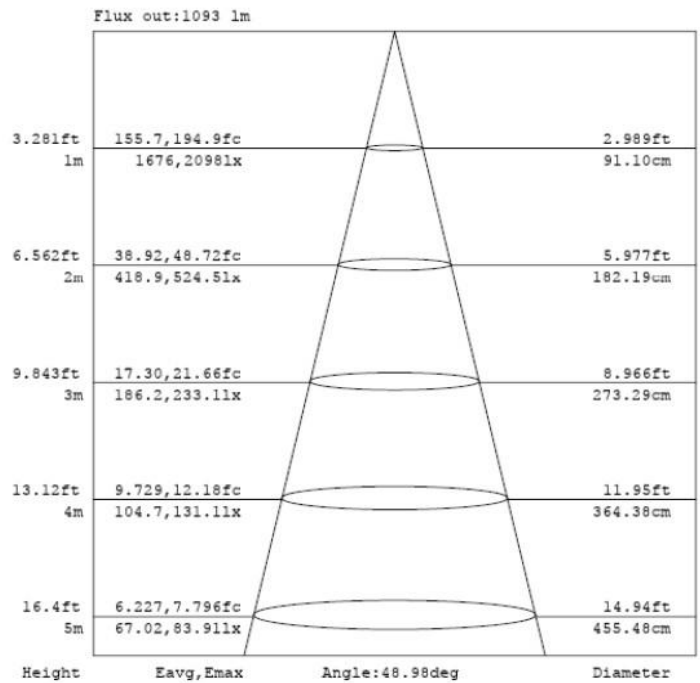
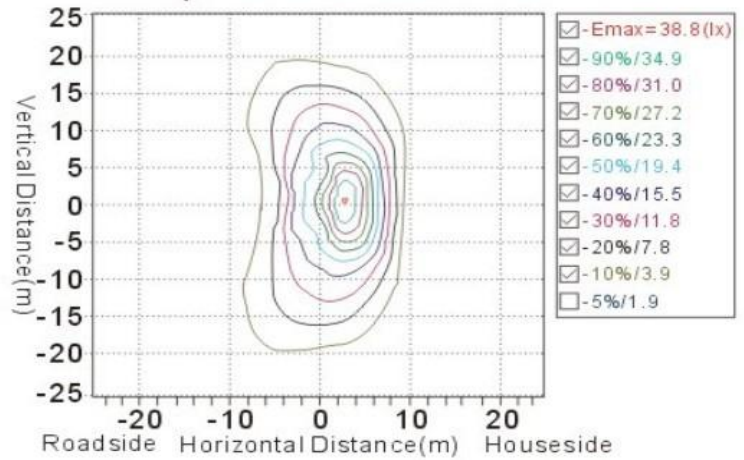
Peak Point Conical Surface Curve



Axial Curve



Plane Equivalent Illuminance Curve



Note: The Curves indicate the illuminated area and the average illumination when the luminaire is at different distance.